

Tripple Option Trading 211 cc

6 Heron Road, Rant-en-Dal, 1739
Tel: (082) 8541001 Fax: (086) 5167896
Trip.op.trading@gmail.com
VAT No. 4160223584
Reg No. 2002/053292/23



Our experienced consultants will assist you in choosing the proper flow meter for your application. And they will be pleased to offer installation guidance to assure that the flowmeter selected will perform as accurately as possible. Additionally, they will stand ready to support you with any after-sale assistance that you may require.

Plastic Rotameter Flowmeter



LZS-Durable Plastic Tube Type Flowmeter is also called the variable-area (or float) flowmeter. The material of measuring tube is made of high-quality and transparent plastic.

This flowmeter is mainly applied to form a complete set in clean water treatment and environmental protection projects. It also can be used in chemical industry, petroleum, light industry, medical, fertilizer, food, papermaking and scientific research, etc... To measure the single-phase non pulsing flow of liquid and gas.

LZS-Durable Plastic Tube Type Flowmeter have the characteristics of high transparency, reading ocular, in rare cases to be broken, light weight, long-life, convenient for installation. etc.

We can also equip alarms into the flowmeters.

Plastic Rotameter Flowmeter



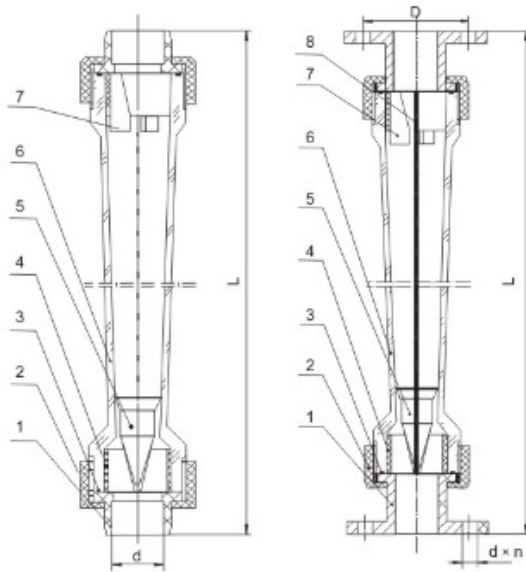
● LZT-S Plastics tube Flowmeter

| Model | Measuring range | Medium | Remarks |
|------------|-------------------------|-------------------------|-------------------------------------|
| LZT-15S06L | 6-60L/h | Water | Without Guide rod |
| LZT-15S10L | 10-100L/h | | |
| LZT-15S16L | 16-160L/h | | |
| LZT-15S25L | 25-250L/h | | |
| LZT-15S40L | 40-400L/h | | |
| LZT-15S60L | 60-600L/h | | |
| LZT-25S06L | 60-600L/h | | With Guide rod |
| LZT-25S10L | 100-1000L/h | | |
| LZT-25S16L | 160-1600L/h | | |
| LZT-25S25L | 250-2500L/h | | |
| LZT-25S30L | 300-3000L/h | | |
| LZT-32S04L | 0.4-4m ³ /h | | |
| LZT-32S06L | 0.6-6m ³ /h | | |
| LZT-50S04L | 0.4-4m ³ /h | | |
| LZT-50S06L | 0.6-6m ³ /h | | With Guide rod |
| LZT-50S10L | 1-10m ³ /h | | |
| LZT-50S16L | 1.6-16m ³ /h | | |
| LZT-100 | S05L/F | 8-50m ³ /h | Flange connection With Guide rod |
| | S06L/F | 12-60m ³ /h | |
| LZT-125 | S09L/F | 14-90m ³ /h | |
| LZT-150 | S12L/F | 18-120m ³ /h | |
| | S15L/F | 18-150m ³ /h | |
| | S18L/F | 22-180m ³ /h | |
| | S20L/F | 25-200m ³ /h | |



| Model | Measuring range | Medium | Remarks | |
|--------------|-------------------------|-------------------------------------|----------------|-------------------|
| LZT-15S06D | 6-60L/h | Water | With Guide rod | |
| LZT-15S10D | 10-100L/h | | | |
| LZT-15S16D | 16-160L/h | | | |
| LZT-15S25D | 25-250L/h | | | |
| LZT-15S40D | 40-400L/h | | | |
| LZT-15S60D | 60-600L/h | | | |
| LZT-25S10D | 100-1000L/h | | | |
| LZT-25S16D | 160-1600L/h | | | |
| LZT-25S25D | 250-2500L/h | | | |
| LZT-25S30D | 300-3000L/h | | | |
| LZT-32S04D | 0.4-4m ³ /h | | | Without Guide rod |
| LZT-32S06D | 0.6-6m ³ /h | | | |
| LZT-50S04D | 0.4-4m ³ /h | | | |
| LZT-50S06D | 0.6-6m ³ /h | | | With Guide rod |
| LZT-50S10D | 1-10m ³ /h | | | |
| LZT-50S16D | 1.6-16m ³ /h | | | |
| LZT-65S25D | 5-25m ³ /h | Flange connection With Guide rod | | |
| LZT-65S40D | 8-40 m ³ /h | | | |
| LZT-65S60D | 12-60 m ³ /h | | | |
| LZT-80S25S/F | 5-25 m ³ /h | | | |
| LZT-80S40S/F | 8-40 m ³ /h | Flange connection With Guide rod | | |
| LZT-80S60S/F | 12-60m ³ /h | | | |

Plastic Rotameter Flowmeter



● Part name and material

| Model No. | Name | Material |
|-----------|-------------------|----------|
| 1 | Connection tube | ABS |
| 2 | Nut | ABS |
| 3 | O-ring | NBR |
| 4 | Bottom stop shaft | ABS |
| 5 | Floater | ABS |
| 6 | Cone tube | PS |
| 7 | Top stop shaft | ABS |
| 8 | Guide rod | 316 |

● Mounting dimensions

| (mm) Nominal diameter | Long tube size | | | Short tube size | | | Flange connection size | | | |
|--------------------------|----------------|----------------|----------|-----------------|----------------|----------|------------------------|------------|-----|--------|
| | L | d | | L | d | | L | | D | d × n |
| | | Sinking insert | Thread | | Sinking insert | Thread | Long tube | Short tube | | |
| 15 | 280 | φ 20 | G1/2 " | 200 | φ 20 | G1/2 " | — | — | — | — |
| 25 | 380 | φ 32 | G3/4 " | 226 | φ 32 | G3/4 " | — | — | — | — |
| 32 | — | — | — | 288 | φ 40 | G1 " | — | — | — | — |
| 50 | 430 | φ 63 | G1 1/2 " | 341 | φ 63 | G1 1/2 " | — | — | — | — |
| 65 | — | — | — | 430 | φ 75 | G2 " | — | 522 | 145 | 17 × 8 |
| 80 | — | — | — | — | — | — | 540 | — | 160 | 17 × 8 |
| 100 | — | — | — | — | — | — | 550 | — | 175 | 17 × 8 |
| 125 | — | — | — | — | — | — | 550 | — | 205 | 17 × 8 |
| 150 | — | — | — | — | — | — | 560 | — | 240 | 21 × 8 |

● For Order:

1, LZT-XXSXXL: Long tube type
LZT-XXSXXD: Short tube type

2, Connection : F: Flange type
N: Thread
□: Sinking insert

3, Special requirements:

For antiseptis model (guide bar bushing F46),
add suffix /F46.

To ensure precise measurement, and best flow instrument selection, please provide as much information as possible about your application.

It will be helpful to include the medium to be measured, the pipe diameter or schedule, the pressure, and the maximum flow rate.

Precise measurement, prestigious business.

We look forward to building a long-term business relationship with you.

Tripple Option Trading 211 cc

[Tel:+27-82](tel:+27-828541001) 8541001

Fax: 086 5167896

Email: trip.op.trading@gmail.com

Skype: [trip.op.trading@gmail.com](https://www.skype.com/people/trip.op.trading)