

Tripple Option Trading 211 CC

6 Heron Road, Rant-en-Dal, 1739
Tel: (082) 8541001 Fax: (086) 5167896
Trip.op.trading@gmail.com
VAT No. 4160223584
Reg No. 2002/053292/23



Coriolis Mass Flowmeter

Series SINCMF

GENERAL

SINCMF Coriolis mass flowmeters are the leading precision flow and density measurement solution offering the most accurate and repeatable mass measurement for liquids, or slurries. SINCMF meters offer the most accurate measurement available for virtually any process fluid, while exhibiting exceptionally low pressure drop.

FEATURES

- Unchallengeable SINCMF performance on liquid mass flow, volume flow, and density measurement
- Unique design delivers unparalleled measurement sensitivity and stability
- Guarantees consistent, reliable performance over the widest flow range
- Designed to minimize process, mounting, and environmental effect

APPLICATIONS



Low Flow Precision Measurement	Precision Measurement & Process Control	High Capacity Precision Measurement
Starting at 9.6kg/hr to 120kg/hr Flavoring Vials Chemical injection	Kg/min – tons/hr Truck loading Internal allocation Leak detection Produced fluids with chlorides	Up to 360 tons/hr Custody transfer Ship loading Railcar loading Pipeline measurement Marine bunkering Feedstock and fuel blending



LIQUID FLOW RATES

Model	Nominal Size (mm)	Flow rate (kg/hr)	Stability zero, kg/h
			0.2%
SINCMF-003	3	9.6~96	0.0144
SINCMF-006	6	54~540	0.081
SINCMF-008	8	96~960	0.144
SINCMF-010	10	150~1500	0.225
SINCMF-015	15	300~3000	0.45
SINCMF-020	20	600~6000	0.9
SINCMF-025	25	960~9600	1.44
SINCMF-032	32	1800~18 000	2.7
SINCMF-040	40	3000~30 000	4.5
SINCMF-050	50	4800~48 000	7.2
SINCMF-080	80	12000~120 000	18
SINCMF-100	100	192000~192 000	30
SINCMF-150	150	36000~360 000	36

SENSOR SPECIFICATIONS

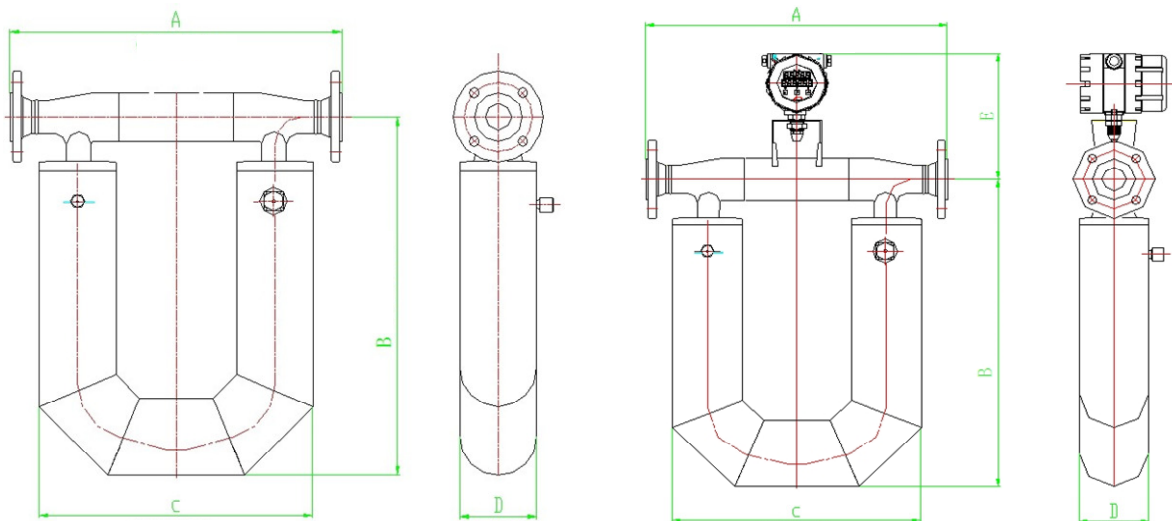
- Accuracy: $\pm 0.1 \sim 0.5\%$
- Repeatability: $\pm 0.1 \sim 0.25\%$
- Density measurement range: $0.3 \sim 3 \text{g/cm}^3$, Accuracy: $\pm 0.002 \text{g/cm}^3$
- Operating temperature: $-50 \sim +200^\circ\text{C}$ (standard), $-200 \sim +300^\circ\text{C}$
- Ambient temperature: $-20 \sim +60^\circ\text{C}$ or $-40 \sim +60^\circ\text{C}$
- The measuring tube material: SS316L; The housing material: SS304
- Nominal pressure: 4.0MPa (standard)
- Ex-proof: Exd (ia) II C T6Gb

TRANSMITTER SPECIFICATIONS

Item	FT-521 LED	FT-522 LCD	FT-523 digital LCD
Picture			
Principle	Analog signal processing	Analog signal processing	Digital signal processing 1.MVD technology 2.Higher sampling 3.Digital filtering
Medium temperature	$-200 \sim +300^\circ\text{C}$	$-200 \sim +300^\circ\text{C}$	$-200 \sim +200^\circ\text{C}$
Ambient temperature	$-40 \sim 60^\circ\text{C}$	$-20 \sim 60^\circ\text{C}$	$-20 \sim 60^\circ\text{C}$
Display info	Mass flow; Volume flow, Density	Mass flow; Volume flow, Density,	Mass flow; Volume flow, Density, Temperature

Temperature			
Display mode	LED	LCD	LCD
Power supply	24VDC/220VAC	24VDC/220VAC	22VDC~245VAC
Output signal	Pulse/4-20mA	Pulse/4-20mA	Pulse/4-20mA
Communication	Modbus	Modbus / Hart	Modbus/Hart
Ex-proof	Ex d (ia) II C T6Gb	Ex d (ia) II C T6Gb	Ex d ib IIC T6 Gb

DIMENSION

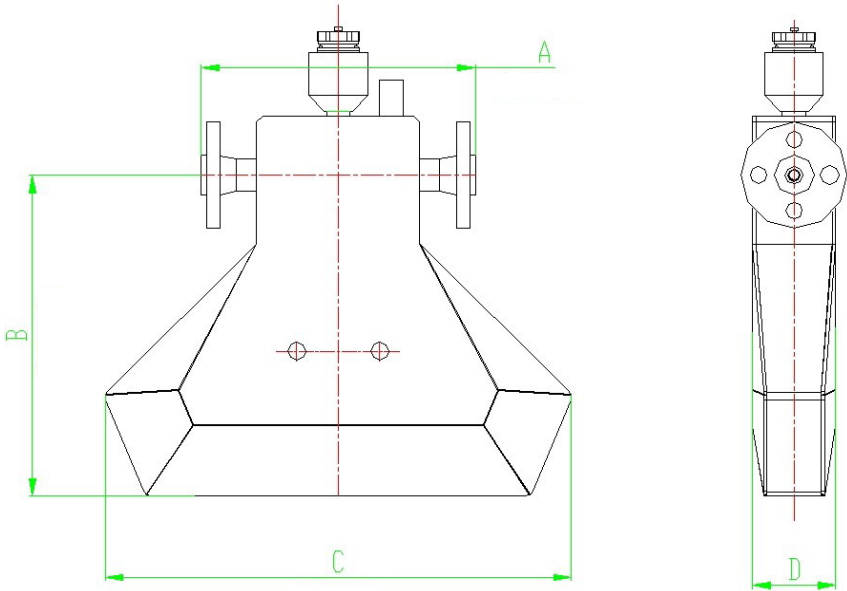


“U” type - Remote type

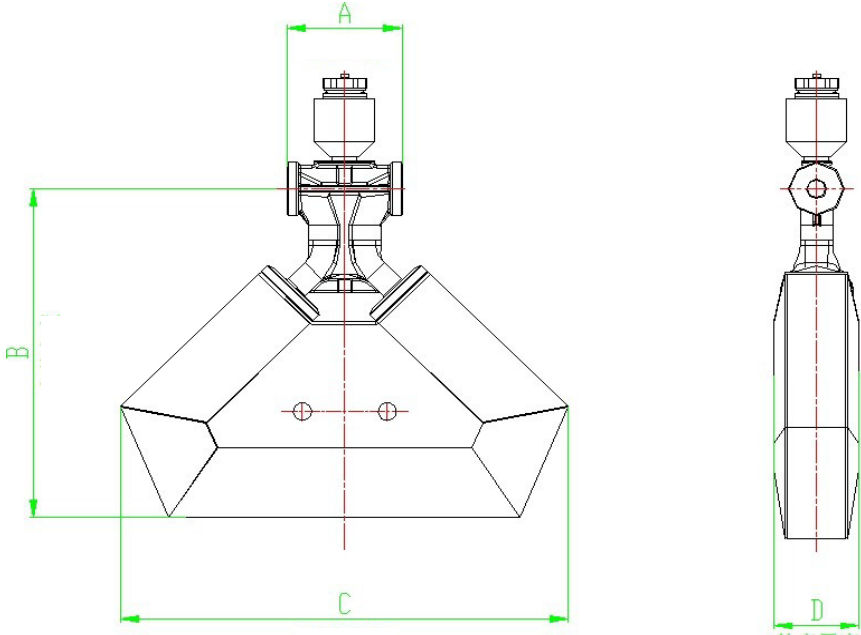
“U” type - Compact type

Model	A	B	C	D	E	NW
	mm	mm	mm	mm	mm	kg
SINCMF-010	450	324	380	60	236	7.2
SINCMF-015	456	324	380	60	236	7.5
SINCMF-020	540	478	468	108	245	17
SINCMF-025	540	492	468	108	245	17.5
SINCMF-032	544	517	468	108	245	24
SINCMF-040	600	635	500	140	267	32
SINCMF-050	606	653	500	140	267	36
SINCMF-080	866	857	779	219	316	87.5
SINCMF-100	950	977	833	273	340	165
SINCMF-150	1300	1223	1144	324	340	252
SINCMF-200	1300	1380	1220	400	358	350

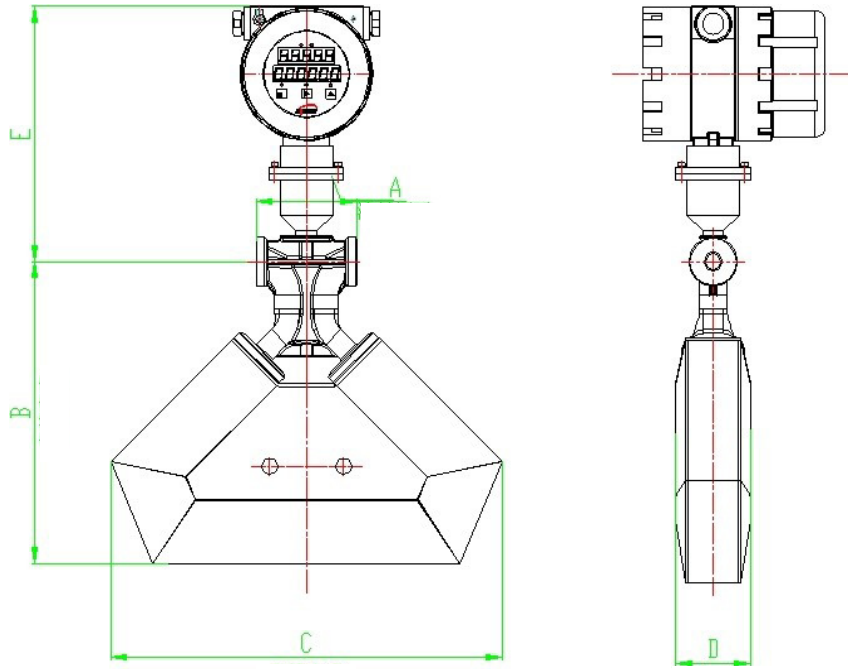
Triangle type



Remote type SINCMF008 / 006 / 003



Remote type SINCMF010 / 015



Compact type SINCMF010 / 015

规格	A	B	C	D	E	NW
	mm	mm	mm	mm	mm	kg
SINCMF-003	196	176	250	54	270	4.8
SINCMF-006	250	263	360	70.5	289	8.1
SINCMF-008	250	275	395	70.5	289	8.2
SINCMF-010	95	283	370	70.5	264	6.5
SINCMF-015	95	302	405	70.5	264	6.5

Note: The size of A will vary depending on the process connection type.

SELECTION CODE

Model	1	2	3	4	5	6	7	8	9	10	11	Description
SINCMF												
Diameter	003											DN3
	006											DN6
	008											DN8
	010											DN10
	015											DN15
	020											DN20
	025											DN25
	032											DN32
	040											DN40
	050											DN50
	080											DN80
	100											DN100
	150											DN150
Structure	C											Compact type
	R											Remote type
Medium temperature			N									-50...+200℃
			H									-50...+300℃
			L									-200...+200℃
Rated pressure				1								1.6MPa
				2								2.0MPa
				4								4.0MPa
				Z								Customized
Power supply					D							DC24V
					A							AC220V
					Z							22-245V
Output signal						R						Pulse/4-20mA/RS485
						H						Pulse/4-20mA/HART
Cable entry							M					M20x1.5
							N					1/2"NPT
							Z					Customized
Accuracy								1				0.1%
								2				0.15%
								3				0.2%
								4				0.5%
Connection									F			Flange
									T			Thread
									C			Tri-clamp
									P			Pipe fittings
									Z			Customized
Explosion										E		Exd(ia)IICT6Gb
										N		Safe environment
Others											Z	Customized